

Gyru-Star 3-80E



Carriers

3 - 5 ton Excavators

6600 - 11000 lbs Excavators

Weight

290 kg

630 lbs

Capacity

0.18 m³

0.24 yd³

Flow

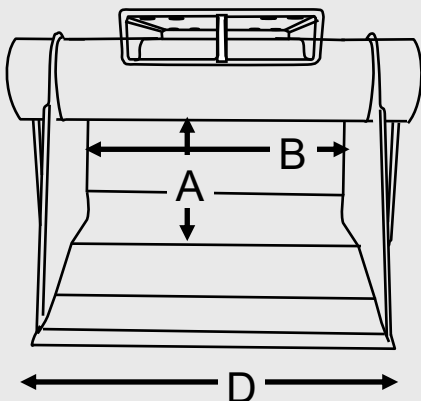
55 l/m

14 gpm

Pressure

200 bar

2900 PSI



Screening Area

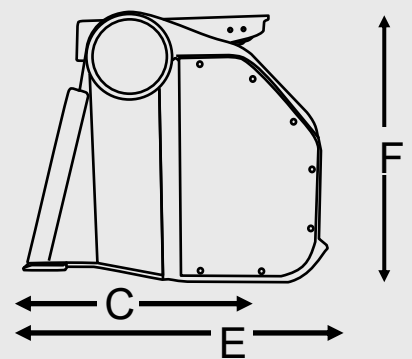
430 x 800 mm 17 x 32 inch

Dimensions

A 430 mm 17 inch **B** 800 mm 32 inch

C 500 mm 20 inch **D** 1010 mm 40 inch

E 760 mm 30 inch **F** 640 mm 25 inch



True compact screening

Low maintenance bucket

Poly stars which screen without crushing

Large screening area to maximise output

Non-Stick Floor as standard

Fast efficient screening systems